



Bringing Motion To Your World



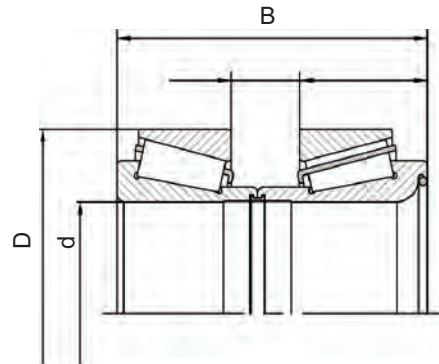
## Compact Tapered Roller Bearing Unit

For Truck and Trailer

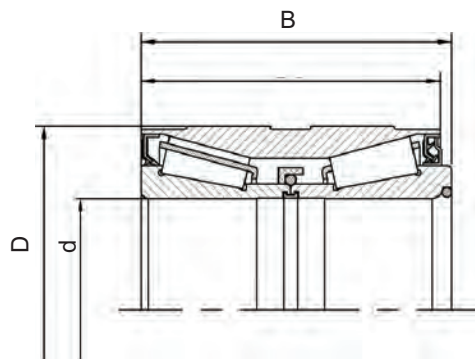
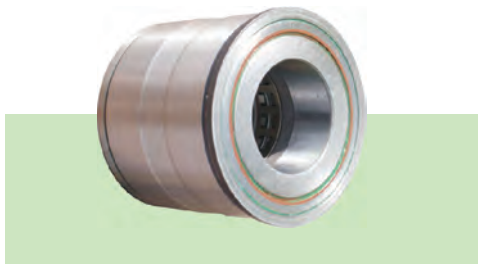
## Compact Tapered Roller Bearing Unit

### The Feature:

- The compact design consists of fewer parts, which is facile for assembly
- The Bearing Unit pre-adjust the bearing clearance.
- Less Maintenance with higher safety and reliability.
- Bearing Unit is the trend of Wheel bearings.



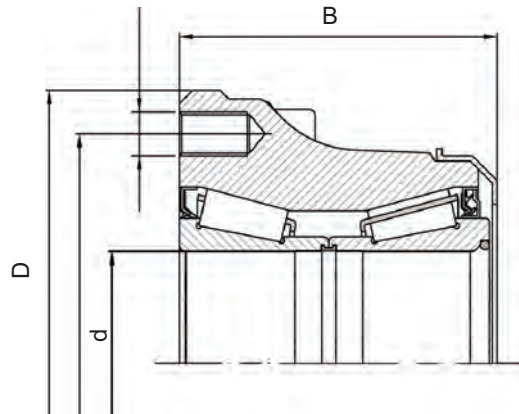
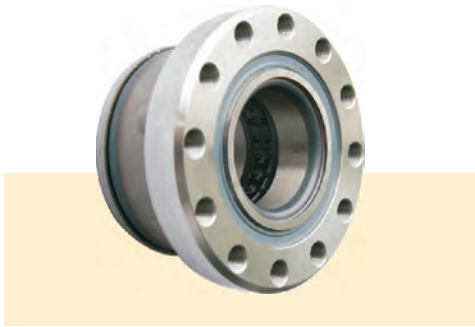
Part No.	OEM	SKF No.	Other No.	Dimensions (dxDxB)	Wheel	Application
581079	20967831		566426H195	68.2x125x115mm	Front	VOLVO
800792	20792439 21036050 1075408			93.8x148x135mm	Rear	VOLVO
803904	03434301200		503809	120x175x123mm	Rear	SAF
805479/805415A 805415A	3307303000			82x138x113.3mm	Rear	SAF



Part No.	OEM	SKF No.	Other No.	Dimensions (dxDxB)	Wheel	Application
BTH 0018 B	1476945 1439070	VKBA 5314	201037 F 15097	68x127/132x115mm	Front	SCANIA
BTH 0022A	0149819305	VKBA 5552	805003A.H195	82x140x115mm	Rear	Mercedes-Benz
BTH 0025	7183074 7183075 1905487	VKBA 5397	201059	90x160x125mm	Rear	IVECO EUROTECH IRISBUS

\* More information, please contact us at: [info@kml-bearing.com](mailto:info@kml-bearing.com)

## Compact Tapered Roller Bearing Unit



Part No.	OEM	SKF No.	Other No.	Dimensions (dxDxB)	Wheel	Application
BTF 0021A	81934200288	VKBA 5377	201012		Front	MAN, IVECO
BTF 0056EB	03434365000	VKBA 5549	564734H195	82x195x113.3mm	Rear	SAF

\* More information, please contact us at: [info@kml-bearing.com](mailto:info@kml-bearing.com)